





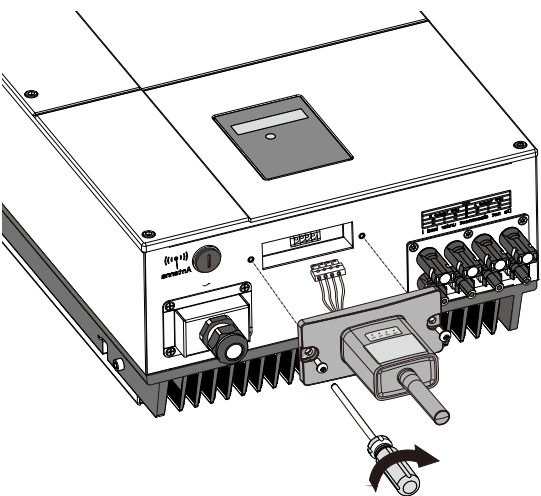
Wi-Fi PlugII

Quick Installation Guideline

1. Installation

- Find the corresponding interface code on the right table, according to the model of the datalogger.
- Based on the corresponding icon, finish the installation according to the interface code.
- Confirm the status of the LED light (After step 2.3, when 4 LED light keep on, showing the normal working status).

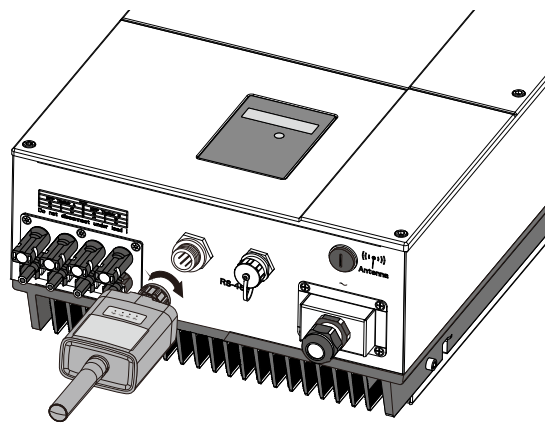
| Datalogger Model | Interface Code | Interface Icon |
|-----------------------------------|----------------|--|
| Wi-Fi PlugII - 01/11 (Method 1) | ① |  |
| Wi-Fi PlugII - 04 (Method 2) | | |
| Wi-Fi PlugII - 02/10 | ② |  |
| Wi-Fi PlugII - 07 | ③ |  |
| Wi-Fi PlugII - 03/05/06/08/12/13 | ④ |  |



①

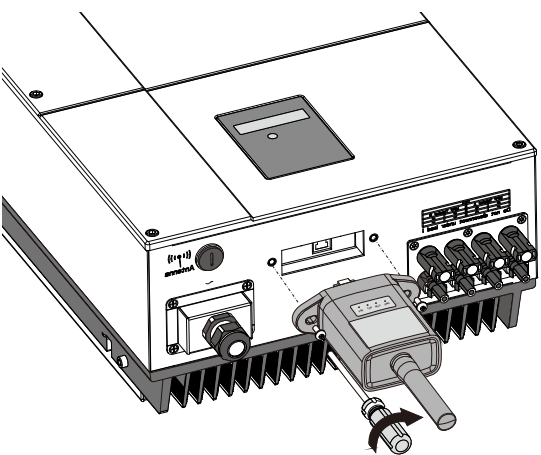
- Method 1 :**
- Connect the 4PIN power cable of the Wi-Fi PlugII to the inverter.
 - Fasten the Wi-Fi PlugII to the inverter with the screw.

- Method 2 :**
- Connect the 2 PIN green interface of the Wi-Fi PlugII to the RS-485 terminal of the inverter.
 - Connect the 5PIN power cable of the Wi-Fi PlugII to the inverter.
 - Fasten the Wi-Fi PlugII to the inverter with the screw.



②

- Align the 4-hole aviation plug of the Wi-Fi PlugII with the inverter and plug it in.
- Tighten the nut of the Wi-Fi PlugII to the inverter.

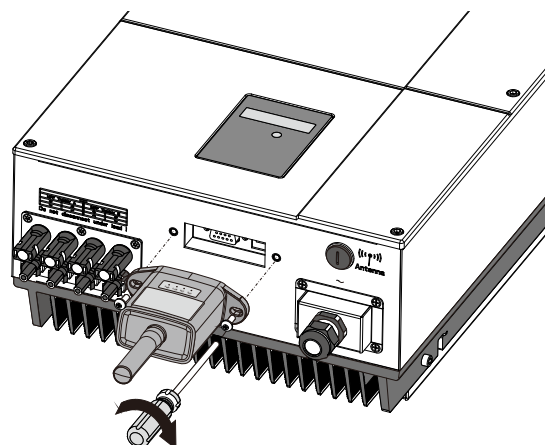


③

- Align the RJ-45 crystal head of the Wi-Fi PlugII with the inverter and insert it in tightly.
- Fasten the Wi-Fi PlugII to the inverter with the screw.

④

- Align the serial port of the Wi-Fi PlugII with the inverter and plug it in tightly.
- Fasten the Wi-Fi PlugII to the inverter with the screw.



2. Wireless Router Connection

2.1 Download APP

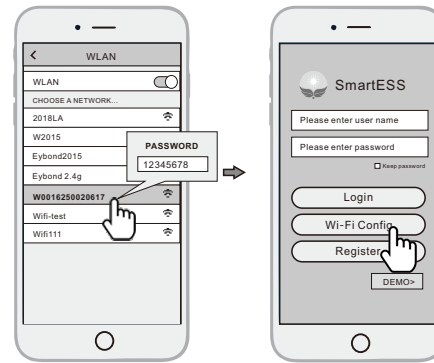
- Scan the QR Code on the right side and download the APP.



SmartESS(iOS)



SmartESS(Android)

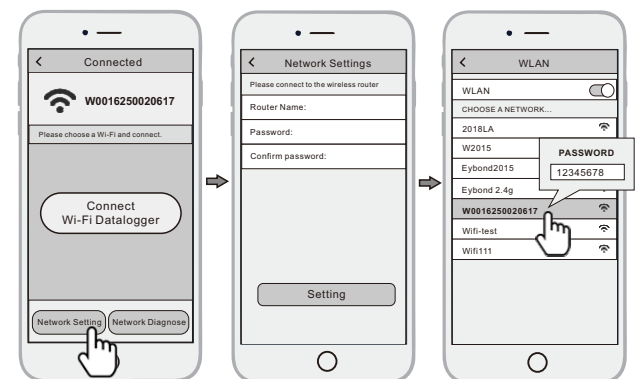


2.2 Connect Wi-Fi Datalogger

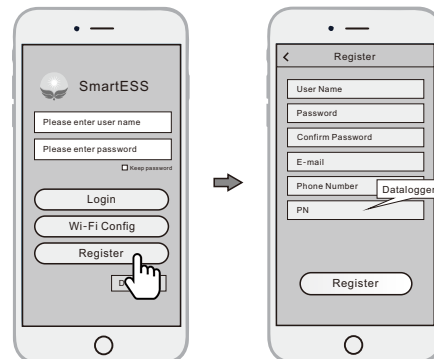
- Select the same number of Wi-Fi PlugII PN to connect on your phone WLAN. (Initial Password:12345678)
- Open the APP, tap the **Wi-Fi Config** button to enter this page.

2.3 Network Setting

- According to the prompts, type in the information to finish the network setting.
- After the Wi-Fi PlugII is restarted, reconnect the Wi-Fi which connected by step 2.1.



3. Create Account And Add Datalogger

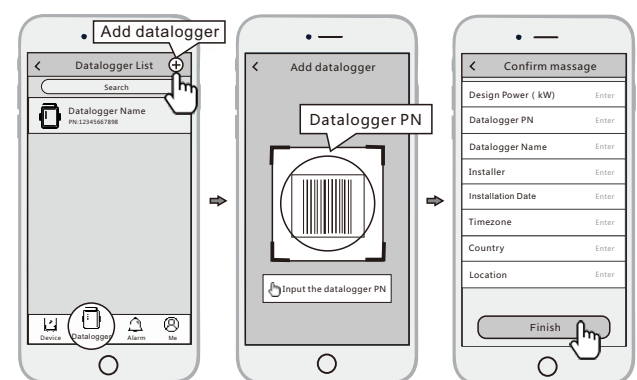


3.1 Create Account

- Open the APP, tap the **Register** button to enter this page.
- According to the prompts, type in the information to create an account.

3.2 Add Datalogger

- Login the account and click the **Datalogger** button. Tap the "+" button on the top-right corner of the **Datalogger** page.
- Scan the PN on the Wi-Fi PlugII, or input it manually.
- According to the prompts, type in the information to finish add datalogger.



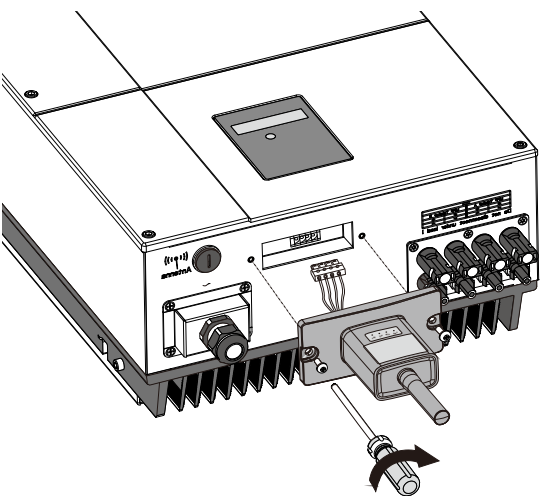
小蜜蜂 (Wi-Fi版) 数采器

快速安装指南

1. 电气连接

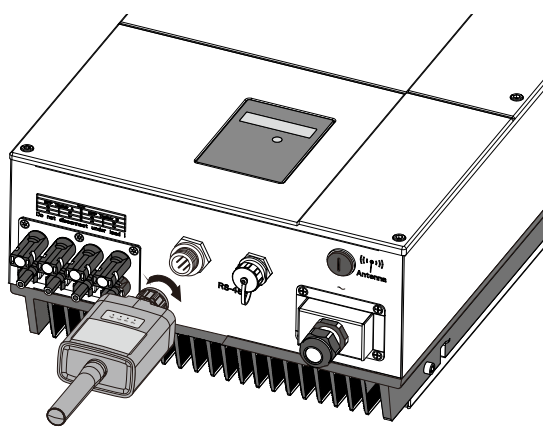
- ① 根据数采器型号在右方找到对应的接口编码。
- ② 根据接口编码按照对应图示进行电气连接。
- ③ 确认数采器各指示灯状态正常 (步骤2.3连网设置成功后, 四灯常亮为正常)。

| 数采器型号 | 接口编码 | 接口图例 |
|----------------------------------|------|------|
| Wi-Fi PlugII - 01/11 (方案1) | ① | |
| Wi-Fi PlugII - 04 (方案2) | | |
| Wi-Fi PlugII - 02/10 | ② | |
| Wi-Fi PlugII - 07 | ③ | |
| Wi-Fi PlugII - 03/05/06/08/12/13 | ④ | |



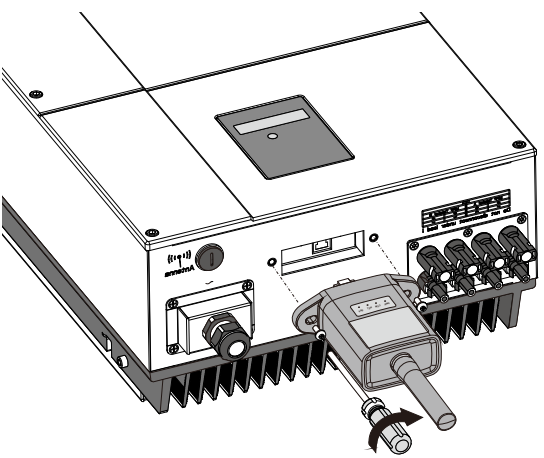
①

- 方案1:
- ① 将数采器的4PIN电源线与逆变器4PIN端子对接。
 - ② 用螺丝把数采器固定在逆变器上。
- 方案2:
- ① 将数采器的2PIN绿色接头与逆变器的RS-485端子对接。
 - ② 将数采器的5PIN电源线与逆变器5PIN端子对接。
 - ③ 用螺丝把数采器固定在逆变器上。



②

- ① 将数采器的4孔航空接头与逆变器的航空接口对齐, 插紧。
- ② 将数采器的螺帽与逆变器的螺杆拧紧。

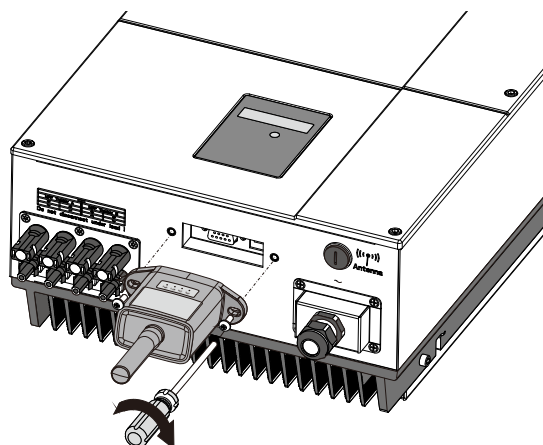


③

- ① 将数采器的RJ-45水晶头与逆变器的RJ-45插座对齐, 插紧。
- ② 用螺丝把数采器固定在逆变器上。

④

- ① 将数采器的串口与逆变器的串口对齐, 插紧。
- ② 用螺丝把数采器固定在逆变器上。



2. 无线路由器连接

2.1 APP下载

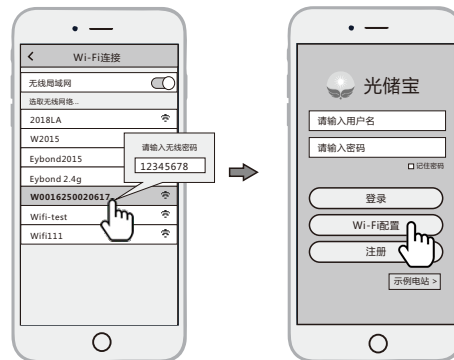
- ① 扫描右方的二维码, 下载APP。



SmartESS(iOS)



SmartESS(Android)

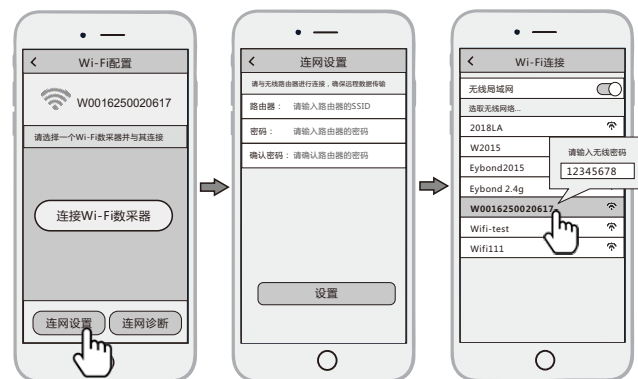


2.2 Wi-Fi数采器连接

- ① 打开手机的无线局域网, 找到与数采器PN号相同的Wi-Fi进行连接。(初始密码: 12345678)。
- ② 手机连接数采器Wi-Fi后, 打开APP, 点击“Wi-Fi配置”按钮, 进入“Wi-Fi配置”页面。

2.3 连网参数设置

- ① 在“Wi-Fi配置”页面中, 点击“连网设置”按钮, 进入该界面。
- ② 在“连网设置”页面, 填写路由器相关信息, 完成连网设置。
- ③ 数采器重启成功后, 回到手机无线局域网重新连接步骤2.1所连接的数采器Wi-Fi。



3. 注册账号与添加数采器



3.1 账号注册

- ① 在APP首页, 点击“注册”按钮, 按提示填写相关信息, 完成注册。

3.2 添加数采器

- ① 登录APP, 选择“数采器列表”菜单, 点击右上角的“+”按钮, 进入到“扫描二维码”界面。
- ② 扫描数采器的PN号, 添加数采器; 若扫描不成功, 请手动输入。
- ③ 根据提示输入相关信息, 完成数采器添加。

